



SERVING THE FOOD INDUSTRY SINCE 1951

STAINLESS STEEL DISH CABINETS



*Convenient solution
to store clean dishes
in your busy kitchen*

FEATURES

- 18-gauge stainless steel dish cabinets
- 304 Stainless steel top, walls, bottom and hat channel
- Centered channel on each shelf
- 1- 5/8 x 6" stainless steel leg, socket and bullet feet



WARRANTY



Authorized Dealer

HANDLING AND STORAGE

15" x 48" x 36" STAINLESS STEEL DISH CABINET



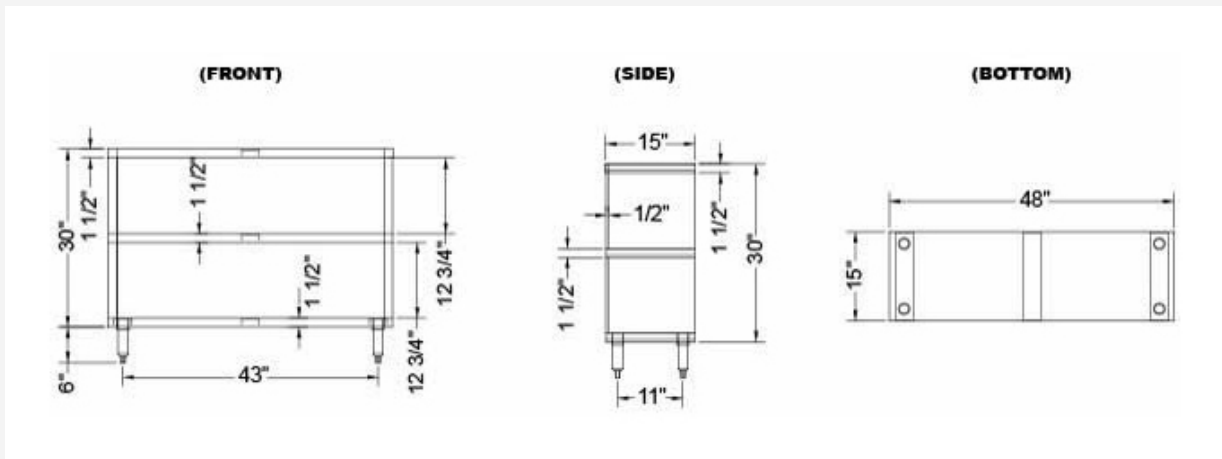
TECHNICAL SPECIFICATIONS



ITEM	38029
MATERIAL	18-gauge. 304 Stainless steel top, walls, bottom and hat channel
TOP SHELF CAPACITY	370 lbs. / 167.8 kg.
MIDSELF CAPACITY	190 lbs. / 86.18 kg.
UNDERSHELF CAPACITY	350 lbs. / 158.75 kg.
OVER-ALL DIMENSIONS (DWH)	15" x 48" x 36" / 381 x 1219.2 x 914.4 mm
GROSS DIMENSIONS	49" x 32" x 17" / 1244.6 x 812.8 x 431.8 mm
WEIGHT	80 lbs. / 36.28 kg.
GROSS WEIGHT	82 lbs. / 37.19 kg.

Middle shelf is not adjustable.

TECHNICAL DRAWINGS WITH DETAILED DIMENSIONS



OMCAN INC.

Telephone: 1-800-465-0234
 Fax: (905) 607-0234
 Email: sales@omcan.com
 Website: www.omcan.com



Follow us to keep up to date with the latest news and offers



HANDLING AND STORAGE

15" x 60" x 36" STAINLESS STEEL DISH CABINET



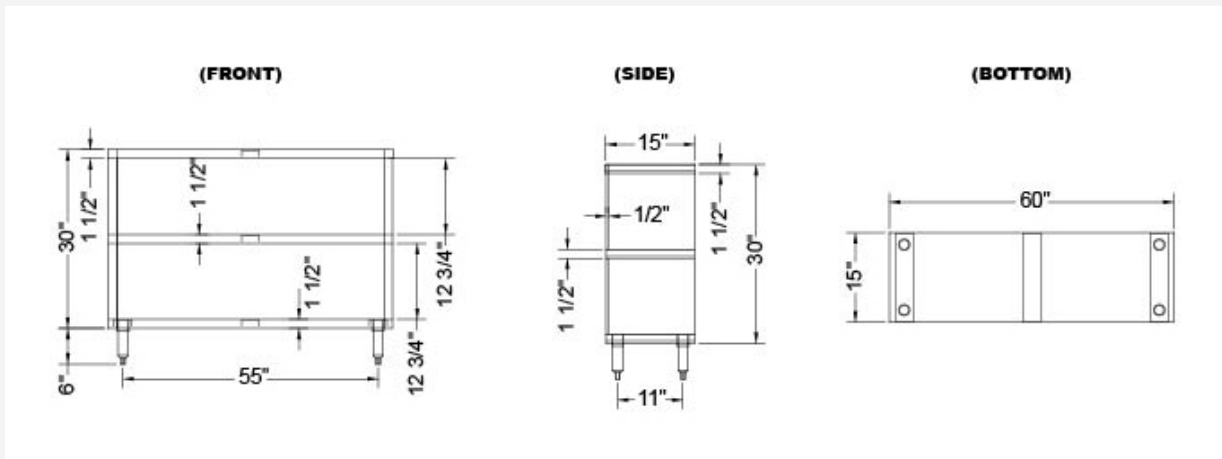
TECHNICAL SPECIFICATIONS



ITEM	38030
MATERIAL	18-gauge. 304 Stainless steel top, walls, bottom and hat channel
TOP SHELF CAPACITY	390 lbs. / 176.9 kg.
MIDSELF CAPACITY	200 lbs. / 90.7 kg.
UNDERSHELF CAPACITY	370 lbs. / 167.8 kg.
OVER-ALL DIMENSIONS (DWH)	15" x 60" x 36" / 381 x 1524 x 914.4 mm
GROSS DIMENSIONS	16" x 32" x 16" / 406.4 x 812.8 x 406.4 mm
WEIGHT	101 lbs. / 45.8 kg.
GROSS WEIGHT	103 lbs. / 46.72 kg.

Middle shelf is not adjustable.

TECHNICAL DRAWINGS WITH DETAILED DIMENSIONS



OMCAN INC.

Telephone: 1-800-465-0234
 Fax: (905) 607-0234
 Email: sales@omcan.com
 Website: www.omcan.com



Follow us to keep up to date
 with the latest news and offers



HANDLING AND STORAGE

15" x 72" x 36" STAINLESS STEEL DISH CABINET



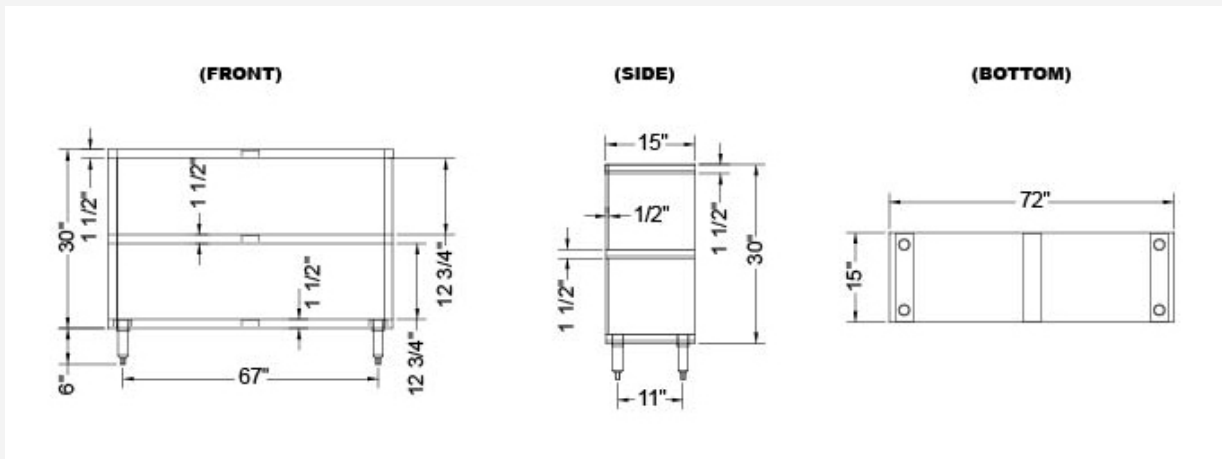
TECHNICAL SPECIFICATIONS



ITEM	38031
MATERIAL	18-gauge. 304 Stainless steel top, walls, bottom and hat channel
TOP SHELF CAPACITY	410 lbs. / 186 kg.
MIDSELF CAPACITY	210 lbs. / 95.25 kg.
UNDERSHELF CAPACITY	390 lbs. / 176.9 kg.
OVER-ALL DIMENSIONS (DWH)	15" x 72" x 36" / 381 x 1828.8 x 914.4 mm
GROSS DIMENSIONS	73" x 16" x 32" / 1828.8 x 406.4 x 812.8 mm
WEIGHT	108 lbs. / 49 kg.
GROSS WEIGHT	110 lbs. / 50 kg.

Middle shelf is not adjustable.

TECHNICAL DRAWINGS WITH DETAILED DIMENSIONS



OMCAN INC.

Telephone: 1-800-465-0234
 Fax: (905) 607-0234
 Email: sales@omcan.com
 Website: www.omcan.com



Follow us to keep up to date
with the latest news and offers



HANDLING AND STORAGE

18" x 48" x 36" STAINLESS STEEL DISH CABINET



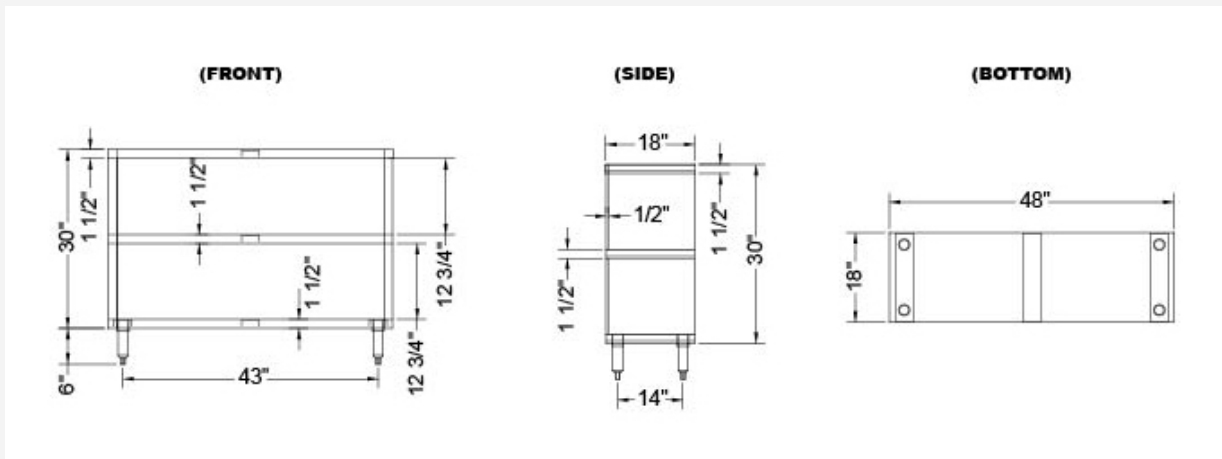
TECHNICAL SPECIFICATIONS



ITEM	38032
MATERIAL	18-gauge. 304 Stainless steel top, walls, bottom and hat channel
TOP SHELF CAPACITY	400 lbs. / 181.4 kg.
MIDSELF CAPACITY	205 lbs. / 93 kg.
UNDERSHELF CAPACITY	370 lbs. / 167.8 kg.
OVER-ALL DIMENSIONS (DWH)	18" x 48" x 36" / 457.2 x 1219.2 x 914.4 mm
GROSS DIMENSIONS	50" x 32" x 20" / 1270 x 812.8 x 508 mm
WEIGHT	93 lbs. / 42.18 kg.
GROSS WEIGHT	94 lbs. / 42.6 kg.

Middle shelf is not adjustable.

TECHNICAL DRAWINGS WITH DETAILED DIMENSIONS



OMCAN INC.

Telephone: 1-800-465-0234
 Fax: (905) 607-0234
 Email: sales@omcan.com
 Website: www.omcan.com



Follow us to keep up to date
 with the latest news and offers



2019.E.O.E

HANDLING AND STORAGE

18" x 60" x 36" STAINLESS STEEL DISH CABINET



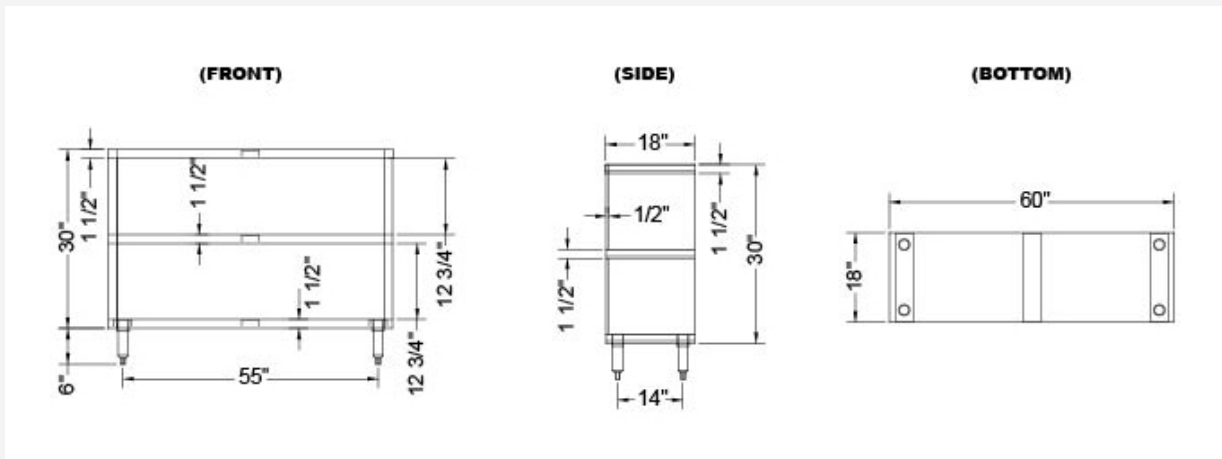
TECHNICAL SPECIFICATIONS



ITEM	38033
MATERIAL	18-gauge. 304 Stainless steel top, walls, bottom and hat channel
TOP SHELF CAPACITY	420 lbs. / 190.5 kg.
MIDSELF CAPACITY	215 lbs. / 97.5 kg.
UNDERSHELF CAPACITY	390 lbs. / 176.9 kg.
OVER-ALL DIMENSIONS (DWH)	18" x 60" x 36" / 457.2 x 1524 x 914.4 mm
GROSS DIMENSIONS	19" x 61" x 31" / 482.6 x 1549.4 x 787.4 mm
WEIGHT	185.2 lbs. / 84 kg.
GROSS WEIGHT	203 lbs. / 92 kg.

Middle shelf is not adjustable.

TECHNICAL DRAWINGS WITH DETAILED DIMENSIONS



OMCAN INC.

Telephone: 1-800-465-0234
 Fax: (905) 607-0234
 Email: sales@omcan.com
 Website: www.omcan.com



Follow us to keep up to date
 with the latest news and offers



HANDLING AND STORAGE

18" x 72" x 36" STAINLESS STEEL DISH CABINET



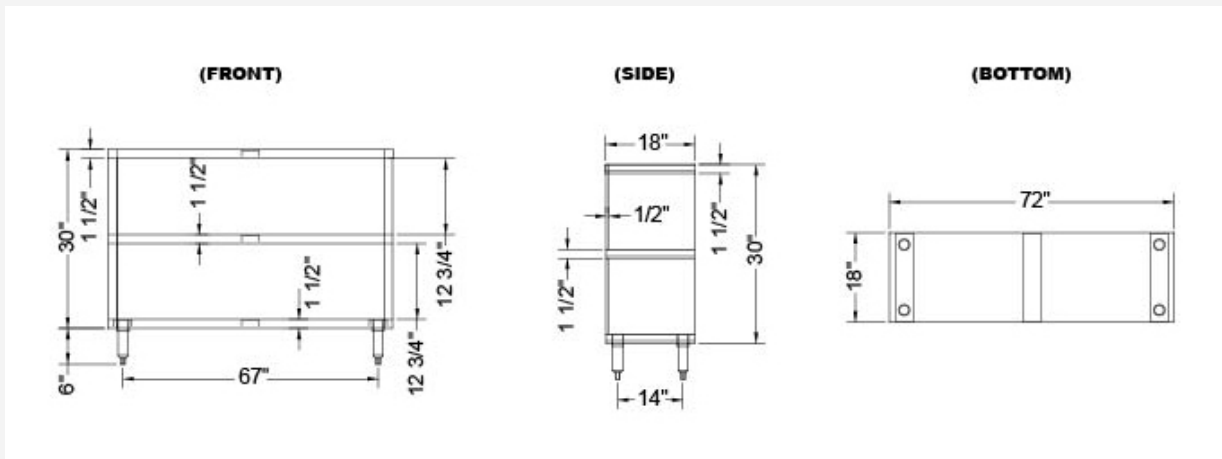
TECHNICAL SPECIFICATIONS



ITEM	38034
MATERIAL	18-gauge. 304 Stainless steel top, walls, bottom and hat channel
TOP SHELF CAPACITY	440 lbs. / 200 kg.
MIDSELF CAPACITY	225 lbs. / 102 kg.
UNDERSHELF CAPACITY	410 lbs. / 186 kg.
OVER-ALL DIMENSIONS (DWH)	18" x 72" x 36" / 457.2 x 1828.8 x 914.4 mm
GROSS DIMENSIONS	19" x 73" x 31" / 482.6 x 1854.2 x 787.4 mm
WEIGHT	252.4 lbs. / 114.5 kg.
GROSS WEIGHT	276 lbs. / 125.19 kg.

Middle shelf is not adjustable.

TECHNICAL DRAWINGS WITH DETAILED DIMENSIONS



OMCAN INC.

Telephone: 1-800-465-0234
 Fax: (905) 607-0234
 Email: sales@omcan.com
 Website: www.omcan.com



Follow us to keep up to date
with the latest news and offers



2019.E.O.E